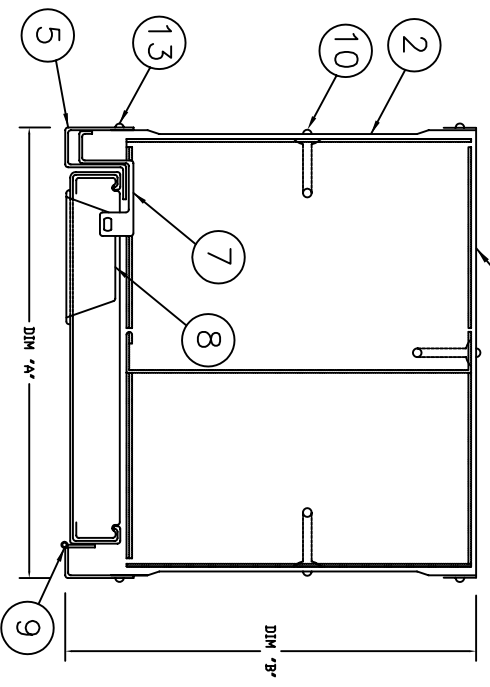
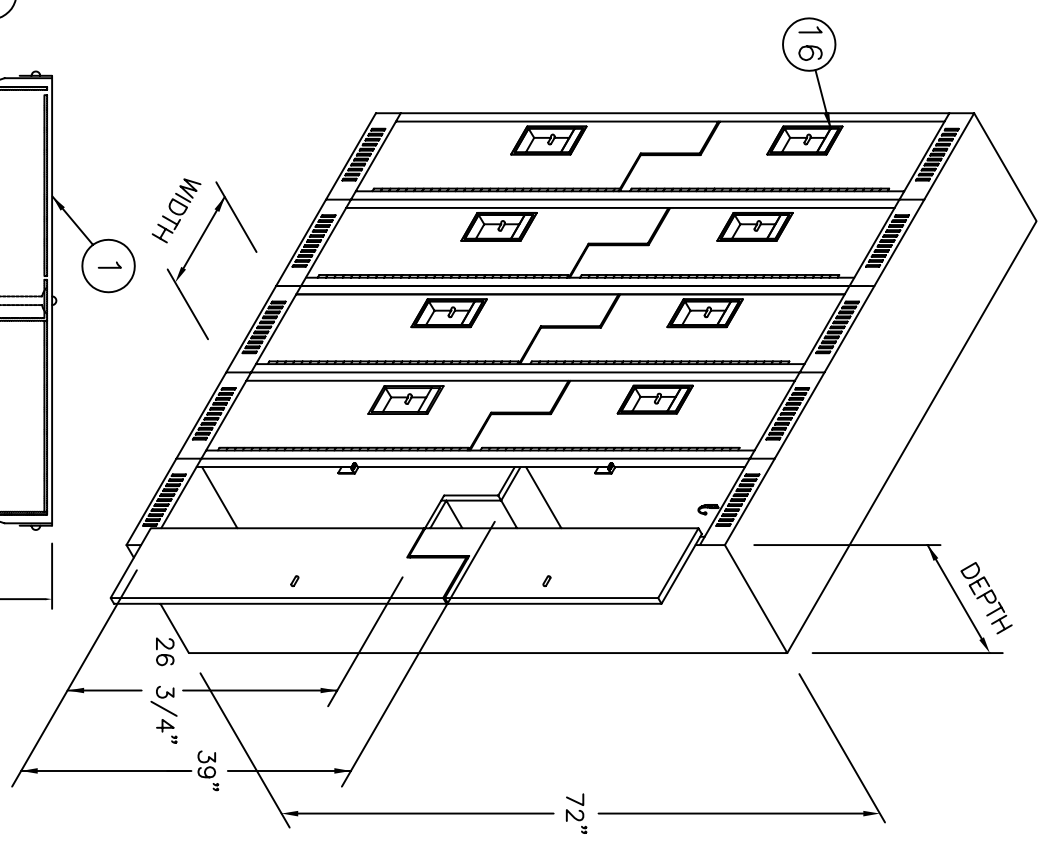
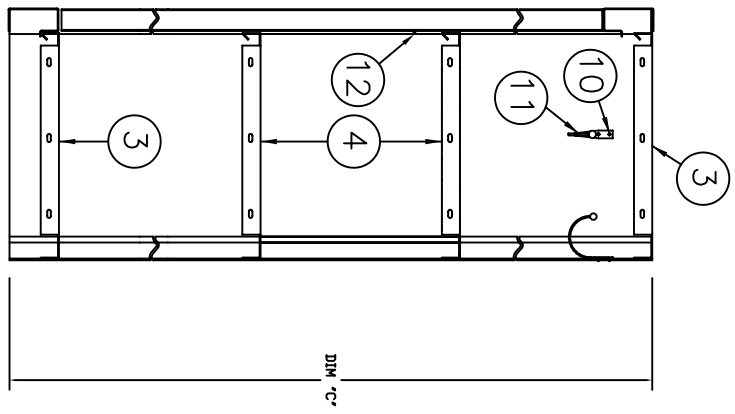



DECOR TRI-LOK PRO-LINE CLUB LOCKER

NO.	DESCRIPTION	GAUGE
1	BACK PANEL	24
2	SIDE PANEL (REVERSIBLE)	24
3	TOP & BOTTOM SHELF	24
4	INTERMEDIATE Z SHELF	22
5	DOOR STRIKE FRAME	16
6	DOOR (LINER 22 GAUGE)	20
7	HASP	12
8	STAINLESS STEEL POCKET	
9	CONTINUOUS HINGE & FRAME	16
10	RIVET	
11	COAT HOOK (3 PER COMPARTMENT)	
12	DOOR BUMPER - 2 PER DOOR	
13	#8 x 5/8" BOLT & NUT	
14		
15		
16	NUMBER PLATE & DOOR PULL	
	EXTRA & SPECIAL PARTS	
27		
28		



 <p><b>GENERAL STORAGE SYSTEMS</b></p>	2995 PAGE STREET, LONDON ONTARIO, CANADA, N5V 4P6 PHONE: (519) 453-5910 FAX: (519) 455-0037
	7632 EAGLE RIDGE CIRCLE FORT WORTH, TX 76179 U.S.A. P/F: (817) 886-8682
PROJECT:	
STYLE:	DECOR TRI-LOK PRO-LINE CLUB LOCKER
CUSTOMER:	
QUOTE NO:	
ARCH/ENG/CONT:	
REVISION NO:	
DATE:	MARCH 30, 2006
SCALE:	NOT TO SCALE
DESIGNED BY:	
APPROVED BY:	
DRAWN BY:	
DRAWING No.:	
SHEET	1 OF 1
DIMENSIONS MUST NOT BE SCALED, ALL MEASUREMENTS MUST BE CHECKED AND VERIFIED AND ALL ERRORS SHALL BE REPORTED TO GSS PRIOR TO PROCEEDING WITH JOB.	
ALL PRINTS OF SPECIFICATIONS AND PLANS ARE THE PROPERTY OF GENERAL STORAGE SYSTEMS MFG LTD AND NOT TO BE COPIED OR USED WITHOUT WRITTEN PERMISSION.	